

Ersatzteil Liste



List of Spare-Parts · Liste de pièces détachées · Lista ricambi

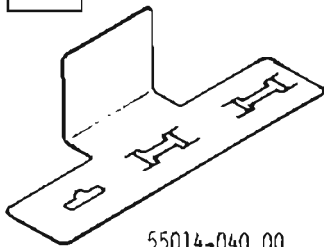
9/79

Receiver 35a

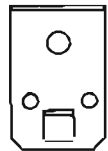
Pos. No.	Fig. No.	Bestell-Nr./Part No. Réf./Nr. d'ordinazioni	Benennung	Description	Désignation	Denominazione
			<u>Gehäuse</u> metallfinish	<u>Cabinet</u> Metallic finish	<u>Boîtier</u> métal	<u>Mobile</u> rifiniture in metallo
1		55015-110.01	Gehäuse kpl.	Cabinet compl.	boîtier cpl	Mobile cpl.
1.1		59750-025.00	2x Fuß	Foot	ped	Piedino
1.2	1	55014-044.01	2x Fuß	Foot	ped	Piedino
1.2a		55014-045.00	2x Fußeinsetzung	Foot insert	enjolveur pied	Inserto piedino
1.3		55015-130.01	Blende	Mask	face avant	Mascherina
1.31	1	55014-034.01	Skalenscheibe	Dial	glace de cadran	Vetrino scala
1.32	1	55015-101.01	Zierrahmen kpl.	Ornamental frame compl.	enjolveur cpl	Cornice ornamen.cpl.
1.33	1	55015-095.01	Zierblech kpl.	Ornamental plate compl.	enjolveur cpl	Lamier. ornamen.cpl.
1.34	6	55014-040.00	Massefeder	Chassis spring	ressort	Molla di massa
1.4		50016-043.00	Deckelwanne	Frame for cover	couvercle	Coperchio
1.5	6	59751-004.00	Blattfeder	Leaf spring	ressort lame	Molla piatta
1.6	1	55015-080.01	Deckel kpl.	Cover compl.	couvercle cpl	Coperchio cpl.
1.61		55015-085.01	Deckelblech kpl.	Cover plate compl.	couvercle cpl	Lamier.coperchio cpl.
3	1	09670-847.01	5x Drehknopf	Rotary control	bouton	Manopola
5		01560-580.00	UKW-Möbelantenne	VHF furniture aerial	antenne FM	Antenna mobile FM
6	6	50016-045.01	Abstimmchlüssel (rot)	Tuning key (red)	bouton prolongateur	Chiave di sint.(rossa)
7		50016-165.01	Gehäuseschiene	Cabinet rail	traverse	Listello del mobile
8		50019-035.00	3x Abdeckscheibe	Cover plate	rondelle	Lastra di copertura
			<u>Gehäuse</u> schwarz	<u>Cabinet</u> black	<u>Boîtier</u> noir	<u>Mobile</u> nero
1		55015-110.02	Gehäuse kpl.	Cabinet compl.	boîtier cpl	Mobile cpl.
1.1		59750-025.00	2x Fuß	Foot	ped	Piedino
1.2	1	55014-044.01	2x Fuß	Foot	ped	Piedino
1.2a		55014-045.00	2x Fußeinsetzung	Foot insert	enjolveur pied	Inserto piedino
1.3		55015-130.02	Blende kpl.	Mask assy.	face avant cpl	Mascherina cpl.
1.31	1	55014-034.01	Skalenscheibe	Dial	glace de cadran	Vetrino scala
1.32	1	55015-101.02	Zierrahmen kpl.	Ornamental frame compl.	enjolveur cpl	Cornice ornamen.cpl.
1.33	1	55015-095.02	Zierblech kpl.	Ornamental plate compl.	enjolveur cpl	Lamier.ornament.cpl.
1.34	6	55014-040.00	Massefeder	Chassis spring	ressort	Molla di massa
1.4		50016-043.00	Deckelwanne	Frame for cover	couvercle	Coperchio
1.5	6	59751-004.00	Blattfeder	Leaf spring	ressort lame	Molla piatta
1.6	1	55015-080.02	Deckel kpl.	Cover compl.	couvercle cpl	Coperchio cpl.
1.61		55015-085.02	Deckelblech kpl.	Cover plate compl.	couvercle cpl	Lamier.coperchio cpl.
3	1	09670-847.02	5x Drehknopf	Rotary control	bouton	Manopola
5		01560-580.00	UKW-Möbelantenne	VHF furniture aerial	antenne FM	Antenna mobile FM
6	6	50016-045.01	Abstimmchlüssel (rot)	Tuning key (red)	bouton prolongateur	Chiave di sint.(rossa)
7		50016-165.01	Gehäuseschiene	Cabinet rail	traverse	Listello del mobile
8		50019-035.00	9x Abdeckscheibe	Cover plate	rondelle	Lastra di copertura

Pos. No.	Fig. No.	Bestell-Nr./Part No. Réf./Nr. d'ordinazioni	Benennung	Description	Désignation	Denominazione
			<u>Gehäuse</u> braun-metallic	<u>Cabinet</u> Metallic brown	<u>Boîtier</u> brun-métal.	<u>Mobile</u> marrone-metallico
1		55015-110.03	Gehäuse kpl.	Cabinet compl.	boîtier cpl	Mobile cpl.
1.1		59750-025.00	2x Fuß	Foot	ped	Piedino
1.2	1	55014-044.01	2x Fuß	Foot	ped	Piedino
1.2a		55014-045.00	2x Fußeinsetz	Foot insert	enjoliveur pied	Inserto piedino
1.3		55015-130.03	Blende kpl.	Mask assy.	face avant cpl	Mascherina cpl.
1.31	1	55014-034.01	Skalenscheibe	Dial	glace de cadran	Vetrino scala
1.32	1	55015-101.03	Zierrahmen kpl.	Ornamental frame compl.	enjoliveur cpl	Cornice ornament.cpl.
1.33	1	55015-095.03	Zierblech kpl.	Ornamental plate compl.	enjoliveur cpl	Lamier. ornament.cpl.
1.34	6	55014-040.00	Massefeder	Chassis spring	ressort	Molla di massa
1.4		50016-043.00	Deckelwanne	Frame for cover	couvercle	Coperchio
1.5	6	59751-004.00	Blattfeder	Leaf spring	ressort lame	Molla piatta
1.6	1	55015-080.03	Deckel kpl.	Cover compl.	couvercle cpl	Coperchio cpl.
1.61		55015-085.03	Deckelblech kpl.	Cover plate compl.	couvercle cpl	Lamier. coperchio cpl.
3	1	09670-847.03	5x Drehknopf	Rotary control	bouton	Manopola
5		01560-580.00	UKW-Möbelantenne	VHF furniture aerial	antenne FM	Antenna mobile FM
6	6	50016-045.01	Abstimm Schlüssel (rot)	Tuning key (red)	bouton prolongateur	Chiave di sintonia (rossa)
7		50016-165.03	Gehäuseschiene	Cabinet rail	traverse	Listello del mobile
8		50019-035.00	9x Abdeckscheibe	Cover plate	rondelle	Lastra di copertura
			<u>Gehäuse</u> champagner-metallic	<u>Cabinet</u> Metallic champagne	<u>Boîtier</u> champagne-métal.	<u>Mobile</u> champagne-metallico
1		55015-110.04	Gehäuse kpl.	Cabinet compl.	boîtier cpl	Mobile cpl.
1.1		59750-025.00	2x Fuß	Foot	ped	Piedino
1.2	1	55014-044.01	2x Fuß	Foot	ped	Piedino
1.2a		55014-045.00	2x Fußeinsetz	Foot insert	enjoliveur pied	Inserto piedino
1.3		55015-130.05	Blende kpl.	Mask assy.	face avant cpl	Mascherina cpl.
1.31	1	55014-034.01	Skalenscheibe	Dial	glace de cadran	Vetrino scala
1.32	1	55015-101.04	Zierrahmen kpl.	Ornamental frame compl.	enjoliveur cpl	Cornice ornament.cpl.
1.33	1	55015-095.04	Zierblech kpl.	Ornamental plate compl.	enjoliveur cpl	Lamier. ornament.cpl.
1.34	6	55014-040.00	Massefeder	Chassis spring	ressort	Molla di massa
1.4		50016-043.00	Deckelwanne	Frame for cover	couvercle	Coperchio
1.5	6	59751-004.00	Blattfeder	Leaf spring	ressort lame	Molla piatta
1.6	1	55015-080.04	Deckel kpl.	Cover compl.	couvercle cpl	Coperchio cpl.
1.61		55015-085.04	Deckelblech kpl.	Cover plate compl.	couvercle cpl	Lamier. coperchio cpl.
3	1	09670-847.03	5x Drehknopf	Rotary control	bouton	Manopola
5		01560-580.00	UKW-Möbelantenne	VHF furniture aerial	antenne FM	Antenna mobile FM
6	6	50016-045.01	Abstimm Schlüssel (rot)	Tuning key (red)	bouton prolongateur	Chiave di sintonia (rossa)
7		50016-165.03	Gehäuseschiene	Cabinet rail	traverse	Listello del mobile
8		50019-038.01	9x Abdeckscheibe	Cover plate	rondelle	Lastra di copertura

6



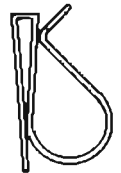
55014-040.00



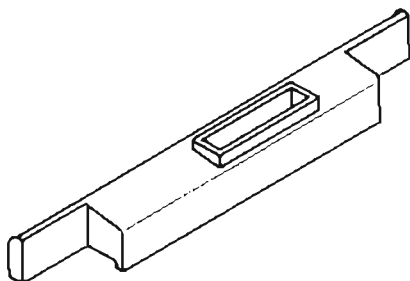
59751-004.00



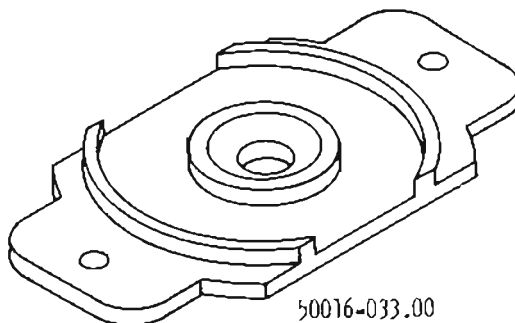
50016-045.01



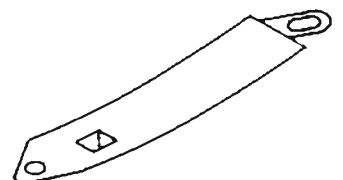
50016-051.00



50016-040.00



50016-033.00



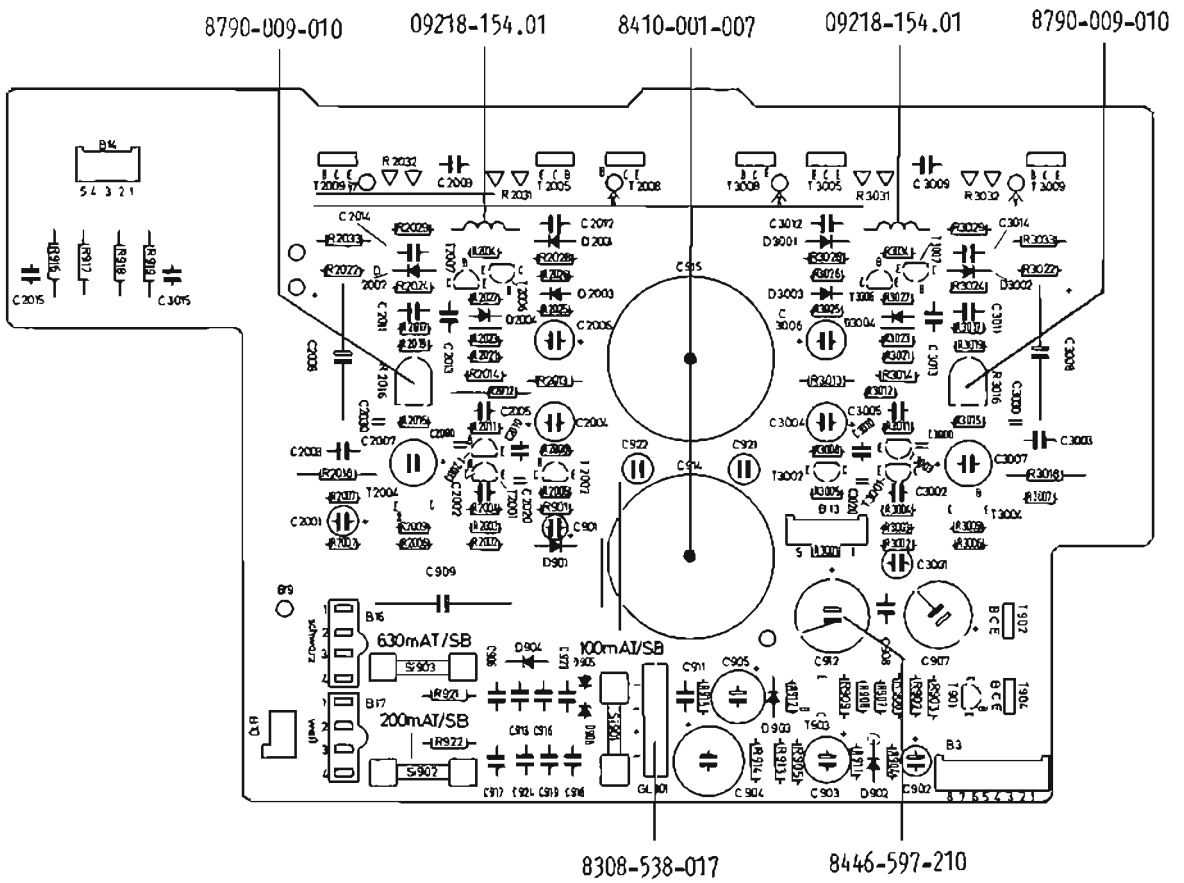
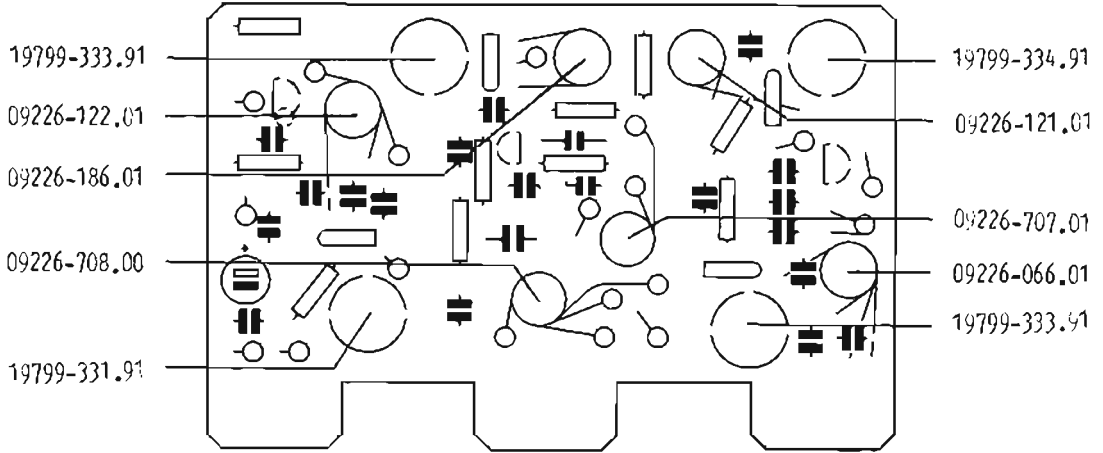
59751-011.00

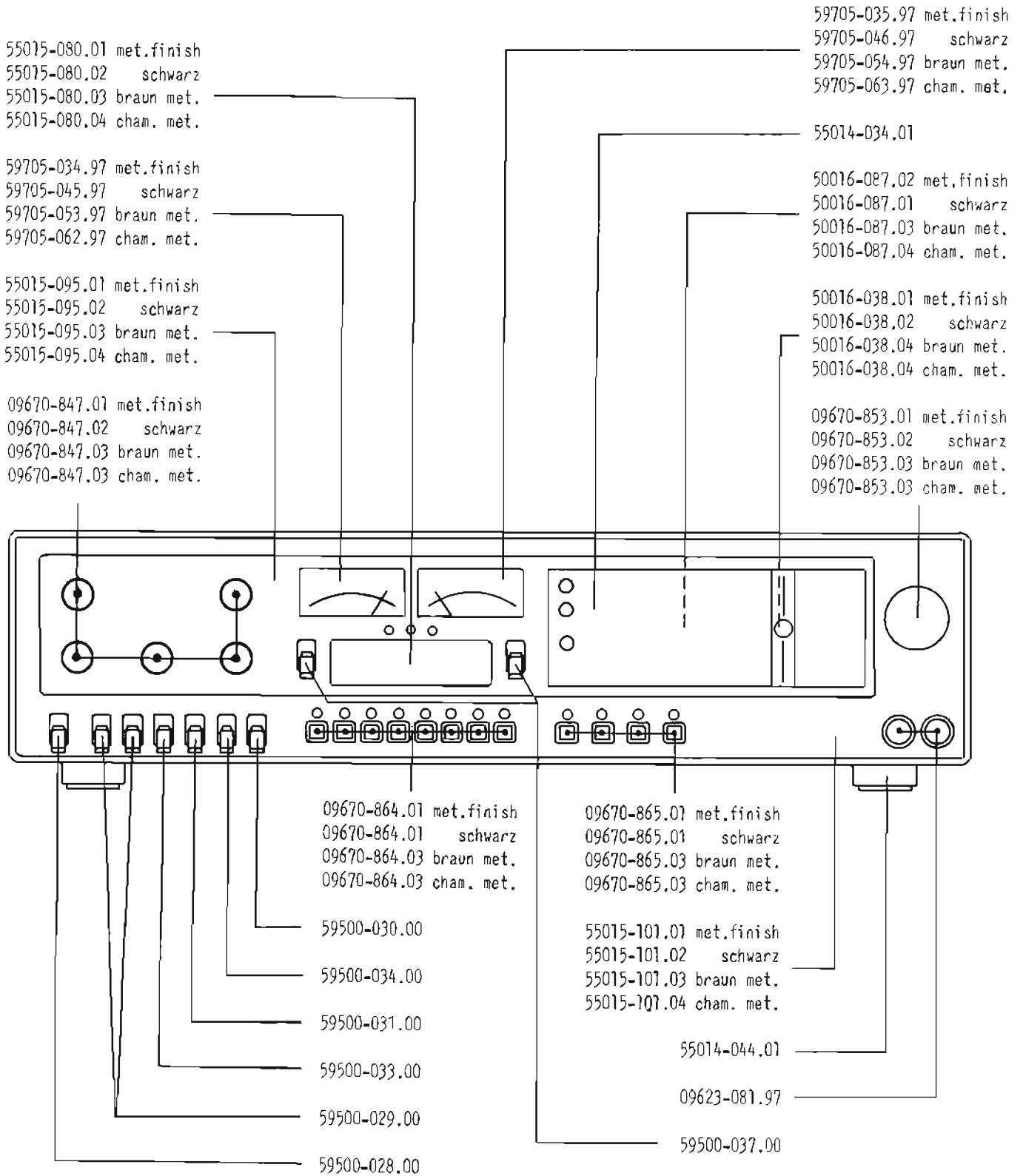
Pos. No.	Fig. No.	Bestell-Nr./Part No. Réf./Nr. d'ordinazioni	Benennung	Description	Désignation	Denominazione
Ab Pos. 11 sind alle Ausführungen gleich: From Pos. 11 all models are identical:					Toutes les versions sont identiques à partir de la pos. 11	
					AM-FM-Chassis	AM-FM-Chassis
					Chassis AM-FM	Chassis FM-AM
11		59310-863.00	Anzeigeplatte	Indication plate	plaquette indicatrice	Piastra indicazione
12	6	50016-051.00	2x Kabelfeder	Cable spring	ressort	Molla del cavo
13	1	09623-081.97	2x Stereo-Kopfhörerbuchse	Stereo headphone socket	embase casque stéréo	Presca cuffia stereo
14	1	59500-037.00	2x Kippschalter 2-fach kpl. (Still u. AFC)	Tumbler switch 2-way compl. (Mute and AFC)	interrupteur cpl. (Still et AFC)	Commutat. a bilico 2x cpl. (sint. silen. ed AFC)
15		50016-053.00	2x Schalterwinkel	Switch bracket	équerre	Supporto compl.
16	1	50016-087.02	Skala kpl. (metallfinish)	Scale compl. (metallic finish)	cadran cpl. (métal.)	Scala cpl. (rifiniture in metallo)
16	1	50016-087.01	Skala kpl. (schwarz)	Scale compl. (black)	cadran cpl (noir)	Scala cpl. (nera)
16	1	50016-087.03	Skala kpl. (braun-metallic)	Scale compl. (metallic brown)	cadran cpl. (brun-métal.)	Scala cpl. (marrone-metallico)
16	1	50016-087.04	Skala kpl. (champagner-metallic)	Scale compl. (metallic champagne)	cadran cpl. (champagne-métal.)	Scala cpl. (champagne-metallico)
17		50016-031.00	Rückwanddeckel	Back panel cover	couvercle	Coperchio pannello poster.
18		50016-079.00	Kabelstange	Cable rod	tige	Stanghetta cavo
19		59701-023.97	Drehkondensator mit Abstimmwiderstand	Variable capacitor with tuning resistor	condensateur variable	Condensatore variabile con resist. di sintonia
19.1		59703-093.00	Abstimmwiderstand	(R trim) Tuning resistor	potentiomètre	Resistenza di sintonia
20	1	50016-038.01	Zeiger (metallfinish)	Pointer (metallic finish)	aiguille (métal)	Indice (rifiniture in metal.
20	1	50016-038.02	Zeiger (schwarz)	Pointer (black)	aiguille (noir)	Indice (nero)
20	1	50016-038.04	Zeiger (met. und champ.-metallic)	Pointer (metallic & metallic champagne)	aiguille (métal. et champagne-métal.)	Indice (met. e champ.-metallico)
21	6	50016-040.00	Zeigerkappe	Pointer cap	capot aiguille	Cappa indice
22		09612-155.97	Antriebsrad	Drive wheel	poulie C.V.	Puleggia di sintonia
23		09619-833.00	Ringfeder	Coil spring	ressort	Molla ad anello
24		50016-081.00	Rollenwinkel	Roller bracket	équerre	Supporto rullo
25		00813-001.02	8x Seilrolle Ø11	Pulley Ø11	poulie Ø11	Puleggia Ø11
26		09603-452.00	6x Hülse	Bush	douille	Guaina
27		09603-456.00	2x Hülse	Bush	douille	Guaina
28		09612-833.00	Schwungrad	Flywheel	cabestan	Volano
29	6	50016-033.00	Lagerplatte	Bearing plate	plaque support palier	Piastra boccola
30	1	09670-853.01	Drehknopf kpl. (metallic)	Rotary control comp. (metallic)	bouton cpl (métal.)	Manopola cpl. (metallico)
30	1	09670-853.02	Drehknopf kpl. (schwarz)	Rotary control comp. (black)	bouton cpl (noir)	Manopola cpl. (nera)
30	1	09670-853.03	Drehknopf kpl. (braun/etallic und champagner-metallic)	Rotary control comp. (metallic brown and metallic champagne)	bouton cpl. (brun-métal. et champagne-métal.)	Manopola cpl. (marron/metallico e champagne-metallico)
31	6	59751-011.00	Massefeder für Antrieb	Spring for drive	ressort	Molla di massa per trazione
32		8138-003-010	Polyamidschnur 25 lg.	Polyamide cord 25 long	ficelle polyamide	Cordino in plastica 25 lg.
33		8138-005-015	Skalenseil 38 lg. (Netzschalter)	Scale cord 38 long (mains switch)	ficelle cadran	Funicella scala 38 lg. (interruttore di rete)
34		09619-071.00	Zugfeder (25 Wdg.)	Tension spring (25 turns)	ressort (25 sp.)	Molla di trazione (25 sp.)
35		09619-121.00	Zugfeder (9 Wdg.) (Zeiger)	Tension spring (9 turns) (pointer)	ressort (9 sp.) (aiguille)	Molla di trazione (9 sp.) (Indice)
36		8138-007-021	2x Antriebschnur TE 50 P (schwarz) 43,5 lg./56,5 lg.	Drive cord TE 50 P (black) 43.5 long/56.5 long	ficelle d'entraîn. TE50 (noir) 43,5 mm/56,5 mm	Funicella di sint. TE 50 P (nero) 43,5 lg./56,5 lg.
37		09626-145.00	2x Lampenfassung	Lamp socket	support lampe	Zoccolo lampada
38		50016-057.00	3x Diodenbuchse	Diode socket	support diode	Presca del diodo
39	1	59705-034.97	Anzeiginstrument (metallfinish) (Frequenzanzeige)	Frequency meter (metallic finish)	indicateur (métal.) (fréquence-mètre)	Strumento indicatore (rifiniture in metallo) (indicatore di frequenza)
39	1	59705-045.97	Anzeiginstrument (schwarz) (Frequenzanz.)	Frequency meter (black)	indicateur (noir) (fréquence-mètre)	Strumento indicatore (nero) (indicat. frequenza)

Pos. No.	Fig. No.	Bestell-Nr./Part No. Réf./Nr. d'ordinazioni	Benennung	Description	Désignation	Denominazione
39	1	59705-053.97	Anzeigeeinstrument (braun/metallic) (Frequenzanzeige)	Frequency meter (metallic brown)	indicateur (brun-métal.) (fréquence-mètre)	Strumento indicatore (marrone-metallico) (indicatore di frequenza)
39	1	59705-062.97	Anzeigeeinstrument (champagner/metallic) (Frequenzanzeige)	Frequency meter (metallic champagne)	indicateur (champagne-métal.) (fréquence-mètre)	Strumento indicatore (champagne-metallico) (indicatore di frequenza)
40	1	59705-035.97	Anzeigeeinstrument (metallfinish) (Feldstärkeanzeige)	Field strength meter (Metallic finish)	indicateur (métal.) (intensité de champ)	Strumento indicatore (rifiniture in metallo) (indicat.intens.di campo)
40	1	59705-046.97	Anzeigeeinstrument (schwarz) (Feldstärkeanzeige)	Field strength meter (black)	indicateur (noir) (intensité de champ)	Strumento indicatore (nero) (indicat.intens.di campo)
40	1	59705-054.97	Anzeigeeinstrument (braun/metallic) (Feldstärkeanzeige)	Field strength meter (metallic brown)	indicateur (brun-métal.) (intensité de champ)	Strumento indicatore (marrone-metallico) (indicat.intens.di campo)
40	1	59705-063.97	Anzeigeeinstrument (champagner/metallic) (Feldstärkeanzeige)	Field strength meter (metallic champagne)	indicateur (champagne-métal.) (intensité de champ)	Strumento indicatore (champagne-metallico) (indicat.intens.di campo)
41		09619-806.00	4x Druckfeder (für Nr. 39/40)	Compression spring (for No. 39/40)	ressort (p. N° 39/40)	Molla di pressione (per no. 39/40)
63		09690-358.09	Netzleitung kpl.	Mains lead compl.	câble secteur cpl	Cavo rete cpl.
63		09690-358.04	Netzleitung kpl.(f.GB)	Mains lead compl.(f.GB)		Cavo rete cpl. (per GB)
63		09690-358.05	Netzleitung kpl.(f. Exp.)	Mains lead compl.(f.exp.)		Cavo rete cpl. (per Exp.)
64		09666-448.00	Netzkabel-Zugentlastung	Mains lead cord grip	arrêteur de câble	Fermacavo cavo rete
65		8309-990-213	LE-Diode CQY 72 lg.	{85003/5002}LED CQY 72 long	diode électro-lum.	Diodo LED CQY 72 lg.
66		8309-990-124	LE-Diode CQY 40 lg.	{05003} LED CQY 40 long	diode électro-lum.	Diodo LED CQY 40 lg.
67		8316-113-009	Lampe 6-7V/0,3A	{LA5003/5002}Lamp 6-7V/0.3A	lampe	Lampada 6-7V/0,3A
68		8316-453-004	Zwerglampe 7V/80mA	{LA5003} Miniature lamp	lampe	Lampada miniatur.7V/80mA
69		8705-227-051	Metalloxydwiderstand 0411/1200/5%	{R5002} Metal oxide resis.	résistance métal-ox	Resistenza ad ossido 0411/120 Ohm/5%
70		55509-008.01	8x Zierkappe(metallfinish) (f.Nr.14/251...255)	Ornamental cap (met.finish) (for No. 14/251...255)	capot (métal) (p. N° 14/251...255)	Coper.ornament.(rifin.met.) (p.Nr.14/251...255)
70		55509-008.02	8x Zierkappe(schwarz) (f.Nr.14/251...255)	Ornamenta) cap(black) (for No.14/251...255)	capot (noir) (p. N° 14/251...255)	Coper.ornament.(nero) (per Nr.14/215...255)
70		55509-008.03	8x Zierkappe(braun-metallic/champagner-metallic) (f.Nr.14/251...255)	Ornamental cap(met.brown/metallic champagne) (for No.14/251...255)	capot (brun-métal./champagne-métal.) (p. N° 14/251...255)	Coper.ornament.(marr/metal. champagne-metallico) (p.Nr.14/251...255)
71		55509-009.01	Zierkappe m. Markierung (metallfinish) (für Nr. 250)	Ornamental cap w. marking (Metallic finish) (for No. 250)	capot avec repère (métal.) (p. N° 250)	Coper.ornament.con marca (rifiniture in metallo) (per Nr. 250)
71		55509-009.02	Zierkappe m. Markierung (schwarz)(f.Nr.250)	Ornamental cap w. marking (black)(for No. 250)	capot avec repère (noir) (p. N° 250)	Coper.ornament.con marca (nero)(per Nr. 250)
71		55509-009.03	Zierkappe m. Markierung (braun/metallic und champagner-metallic) (f.Nr.250)	Ornamental cap w. marking (metallic brown and metallic champagne) (for No. 250)	capot avec repère (brun-métal et champagne-métal.) (p. N° 250)	Coper.ornament.con marca (marr.metallico e champagne-metallico) (per Nr. 250)
72	1	09670-864.01	8x Tastenkopf (metallfinish/schwarz)	Push button (metallic finish/black)	touche (métal/noir)	Pulsante (rifinit/metall./nero)
72	1	09670-864.03	8x Tastenkopf (braun-metallic und champagner-metallic)	Push button (metallic brown and metallic champagne)	touche (brun-métal. et champagne-métal.)	Pulsante (marrone-metallico e champagne-metallico)
73	1	09670-865.01	4x Tastenkopf (metallfinish/schwarz)	Push button (metallic finish/black)	touche (métal/noir)	Pulsante (rifinit.in metallo/nero)
73	1	09670-865.03	4x Tastenkopf (braun-metallic/ und champagner-metallic)	Push button (metallic brown/and metallic champagne)	touche (brun-métal/ et champagne-métal.)	Pulsante (marrone-metallico/e champagne-metallico)

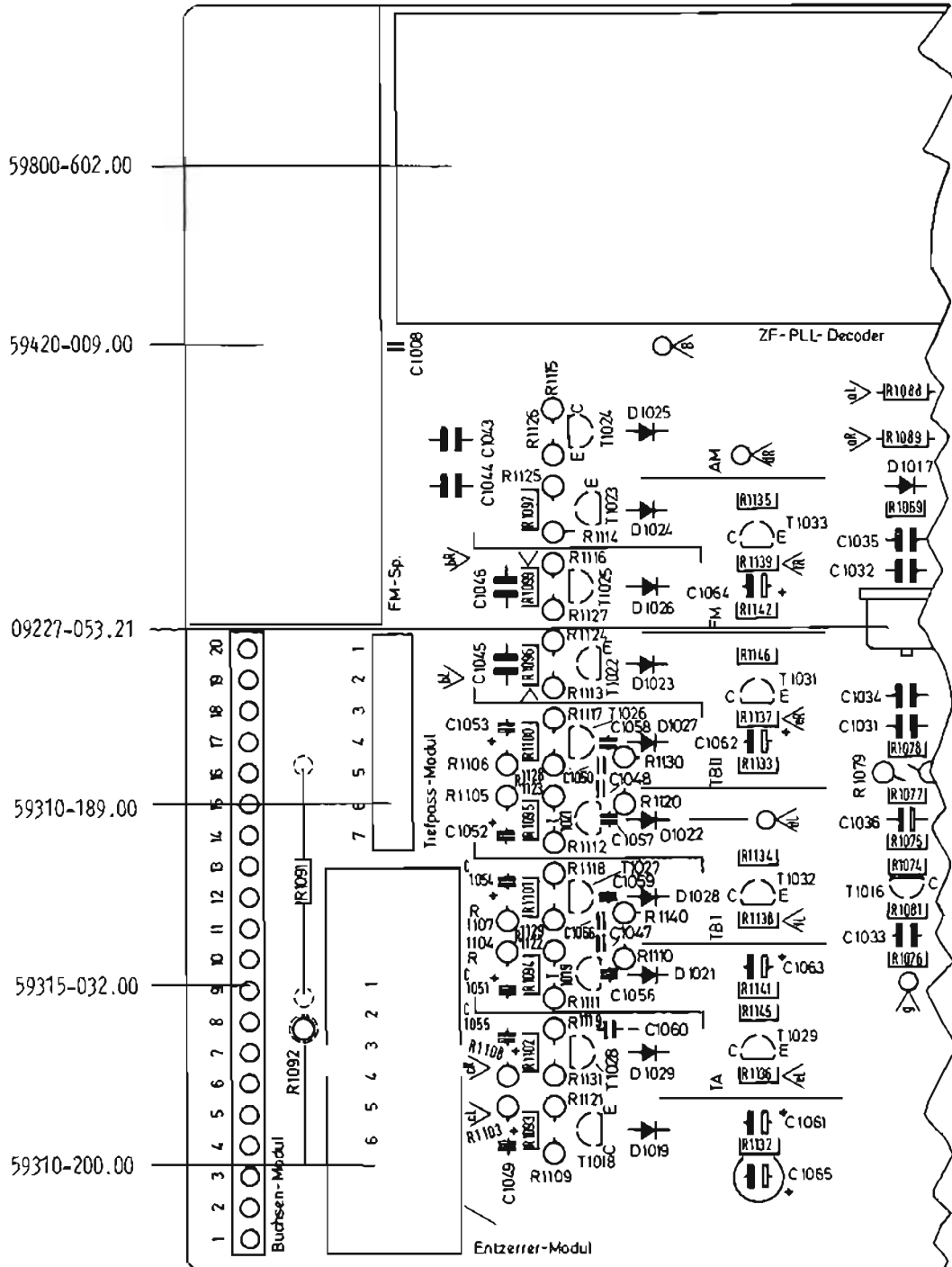
Pos. No.	Fig. No.	Bestell-Nr./Part No. Réf./Nr. d'ordinazioni	Benennung	Description	Désignation	Denominazione
86	2b	09223-858.21	MW-Vorkreis-spule	MW-RF-coil pack	bobine accord PO	bobina ingresso OM
87	2b	09223-606.21	2x Filter-Spule (19 KHz)	coil (19 KHz)	bobine (19 kHz)	bobina filtro (19 kHz)
88	2b	09223-900.21	MW-Oszillator-spule	MW-oscillator coil	bobine osc. PO	bobina oscillatore OM
89		09647-650.97	Ferrit-Abgleichkern (f.Nr.86/87/88)	ferrite alignment core (f.No.86/87/88)	noyau (pr Nr. 86/87/88)	nucleo taratt. in fer.
90		09647-950.97	Rahmenkern (f.Nr.86/87)	frame core (f.No.86/87)	noyau (pr Nr. 86/87)	nucleo avvolgente
91	2b	09227-053.21	NF-Drossel	AF-choke	bobine BF	impedenza BF
92	2b	09218-191.97	Ferritdrossel	ferrite choke	bobine	impedenza in ferrite
93	2b	8140-525-156	HF-Drossel 560µH/10%	HF-choke 560µH/10%	bobine HF	impedenza AF
95	2b	8383-180-151	Integr. Schaltung SAS 590	(IC1001)integr. circuit SAS 590	circuit intégré	circuito integrato
97		8302-202-558	Transistor BC 558	(T1001/1002)transistor	transistor	transistor
98		8302-202-555	15x Transistor BC 550 C	transistor BC 550 C	transistor	transistor
99		8302-202-562	5x Transistor BC 557	transistor BC 557	transistor	transistor
100		8302-202-543	Transistor BC 548 B	(T1011/1015)transistor	transistor	transistor
101		8302-202-560	Transistor BC 558 C	(T1012)transistor	transistor	transistor
102		8302-200-542	Transistor BC 546 B	(T1014)transistor	transistor	transistor
103		8302-200-550	Transistor BC 549 B	(T1016)transistor	transistor	transistor
104		8302-200-548	Transistor BC 548 C	(T1017)transistor	transistor	transistor
108		8309-201-007	12x Diode BA 181	diode BA 181	diode	diodo
109		8309-201-042	10x Diode BA 318	diode BA 318	diode	diodo
110		8309-701-109	Zener-Diode BZX 83/C8/V2	(D1033)zener-diode	diode zener	diodo zener
110a		8309-702-010	Zener-Diode BZX 83/C10	(D1030)zener-diode	diode zener	diodo zener
111		19799-323.91	Trimmer 3/15pF	(C1027)min.pre-set cap.	cond. ajust.	trimmer capacitivo
112		19799-323.97	Trimmer 3/15pF	(C1026)min.pre-set cap.	cond. ajust.	trimmer capacitivo
113		8705-227-085	Metall-oxidwiderstand 0411/3,3KΩ/5%	(R1092)metal oxide resis. 0411/3,3KΩ/5%	rés. métal-oxyde	resistenza ad ossido
114	2b	8790-009-244	Einstellregler 3KΩ	(R1087)min.pre-set pot.	pot. ajust.	trimmer ohmico
115	2b	8790-009-248	Einstellregler 5KΩ	(R1022)min.pre-set pot.	pot. ajust.	trimmer ohmico
116	2b	8790-009-251	Einstellregler 10KΩ	(R1014)min.pre-set pot.	pot. ajust.	trimmer ohmico
117	2b	8790-009-280	Einstellregler 2MΩ	(R1085)min.pre-set pot.	pot. ajust.	trimmer ohmico
113		8700-201-063	Widerstand B 0309 NB	(R1061)resistor 80309 NB	résistance	resistenza
118a		8700-201-065	Widerstand B 0207 NB	(R1039)resistor 80309 NB	résistance	resistenza
119		8700-231-087	Widerstand B 0309 NB	(R1010/1012/1091)resistor	résistance	resistenza
			<u>FM-Spulensatz-Modul</u>	<u>FM-unit set module</u>	<u>Bloc FM</u>	<u>Mod. unità bob. FM</u>
120	2a	59420-009.00	FM-Spulensatz-Modul	FM-coil-pack unit	bloc FM	modulo unità bob. FM
121		59420-301.01	Haube	cover	couvercle	coperchio
122	3	09226-066.01	UKW-Eingangskreis-spule	FM-input coil pack	bob. entrée FM	bobina ingresso FM
123	3	09226-121.01	UKW-Vorkreis-spule I	FM-RF-coil I	bob. accord FM I	bobina ingresso FM I
124	3	09226-122.01	UKW-Vorkreis-spule II	FM-RF-coil II	bob. accord FM II	bobina ingresso FM II
125		09647-681.97	UKW-Abgleichkern (f.Nr.122/123/124)	FM-alignment core (f.No.122/123/124)	noyau (pr Nr. 122/123/124)	nucleo di taratura FM
126	3	09226-186.01	UKW-Oszillator-spule	FM-oscillator coil pack	bob. osc. FM	bobina oscillatore FM
126a		09647-656.97	Abgleichkern	alignment core	noyau	nucleo di taratura
127	3	09226-707.01	ZF-Spule	IF-coil	bobine FI	bobina FI
128	3	09226-708.01	ZF-Spule	IF-coil	bobine FI	bobina FI
129		09647-684.96	Abgleichkern (f.Nr.127/128)	alignment core (f.No.127/128)	noyau (pr Nr. 127/128)	nucleo di taratura
130		09239-005.00	UHF-Drossel	FM-choke	bobine UHF	impedenza UHF
131		09647-020.97	Ferritperle	ferrite bead	perle ferrite	perlina in ferrite
132		8302-220-034	Transistor BF 241	(T303)transistor BF241	transistor	transistor
133		8302-220-414	Transistor BF 414	(T301)transistor BF414	transistor	transistor
134		8302-220-087	Transistor BF 324	(T302)transistor BF324	transistor	transistor
135		8309-510-013	Diode BB 104 blau	(D30 /30)diode BB104 blue	diode	diodo blu
136		8309-510-014	Diode BB 104 grün	(D30 /30)diode BB104 green	diode	diodo verde

Pos. No.	Fig. No.	Bestell-Nr./Part No. Réf./Nr. d'ordinazioni	Benennung	Description	Désignation	Denominazione
137	3	19799-331.91	Trimmer 2/6pF	(C314)	cond. ajustable	Trimmer 2/6 pF
138	3	19799-333.91	Trimmer 3/15pF	(C303/313)	cond. ajustable	Trimmer 3/15 pF
139	3	19799-334.91	Trimmer 4/20pF	(C311)	cond. ajustable	Trimmer 4/20 pF
140		8700-239-053	Widerstand B 0309 NB/150Ω	(R324) Resistor	résistance	Resist.B 0309 NB/150 Ohm
			<u>Tiefpass-Modul-Platte</u>	<u>Low-pass module PCB</u>	<u>C.I. filtre passe-bas</u>	<u>Piastra modulo passa-basso</u>
145	2a	59310-189.00	Tiefpass-Modul-Platte	Low-pass module PCB	C.I. filtre passe-bas	Piastra modulo passa-basso
146		8302-202-555	Transistor BC 550 C	(T651/649)	transistor	Transistore BC 550 C
			<u>Tast-Platte</u>	<u>Push button PCB</u>	<u>C.I. touches</u>	<u>Piastra tasti</u>
150		59315-077.00	Tast-Platte kpl. 4-fach	Push button PCB comp.4-fold	C.I. touches cpl	Piastra tasti cpl. 4x
151		59752-017.00	Diоденhalter 4-fach	Diode holder 4-fold	support diodes	Supporto diodo 4x
152		59500-044.01	4x Kurzhub-Schalter 2-pol.		interrupteur	Commut.a breve corsa 2 pc
153		8309-920-086	LE-Diode CQY 86	(D10...13)	diode électro-lum.	Diode LED CQY 86
			<u>Diоден-Modul-Platte</u>		<u>C.I. diodes électro-lum</u>	<u>Piastra modulo diodi</u>
157		59310-183.00	Diоден-Modul-Platte kpl.		C.I. diodes LED cpl	Piastra modulo diodi cpl.
158		8309-920-085	LE-Diode CQY 85	(D21/22)	diode électro-lum.	Diodo LED CQY 85
159		8309-920-086	LE-Diode CQY 86	(D23)	diode électro-lum.	Diodo LED CQY 86
			<u>Tunoscope-Modul-Platte</u>	<u>Tunoscope module PCB</u>	<u>C.I. tunoscope</u>	<u>Piastra modulo tunoscope</u>
170	2b	59311-028.00	Tunoscope-Modul-Platte	Tunoscope module PCB	C.I. tunoscope	Piastra modulo tunoscope
173		8305-204-324	Integr. Schaltung LM 324 N	(IC 501) Integr. circuit	circuit intégré	Circuito integrato LM 324 N
174		8302-220-005	Transistor BF 254	(T502)	transistor	Transistore BF 254
175		8302-200-169	Transistor BC 338-25	(T501)	transistor	Transistore BC 338-25
176		8302-202-543	Transistor BC 548 B	(T503)	transistor	Transistore BC 548 B
177		8309-201-055	Diode BA 317	(D504/501/502)	diode	Diodo BA 317
178		8309-701-107	Diode BZX 83/C5/V6	(D505)	diode	Diodo BZX 83/C5/V6
179		8309-201-007	Diode BA 181	(D504)	diode	Diodo BA 181
			<u>Regler-Modul-Platte I</u>	<u>Control module PCB I</u>	<u>C.I. potentiomètres I</u>	<u>Piastra mod.regolat.I</u>
185		59311-033.00	Regler-Modul-Platte I	Control module PCB I	C.I. potentiomètres I	Piastra mod.regolat.I
190		8302-200-554	Transistor BC 550 C	(T401/402)	transistor	Transistore BC 550 C
191		8302-200-552	Transistor BC 550 B	(T403/404)	transistor	Transistore BC 550 B
192		8309-201-055	Diode BA 317	(D403/404)	diode	Diodo BA 317
193		8309-707-110	Zener-Diode ZPD 6,8	(D401/402)	diode zener	Diodo Zener ZPD 6,8
194		59703-114.97	Potentiometer 2x100KΩ KN 53114 (Lautstärke)	(R401/402) KN 53114 (volume)	potentiomètre (volume)	Potenzio metro 2x100 kOhm KN 53114 (volume)
195		59703-117.97	Potentiometer 2x6KΩ KN 53117 (Balance)	(R416/417)	potentiomètre (balance)	Potenzio metro 2x6 kOhm KN 53117 (bilanciamento)
196		8700-351-015	Widerstand Z 0414 NB	(R403) Resistor	résistance	Resistenza Z 0414 NB
			<u>Regler-Modul-Platte II</u>	<u>Control module PCB II</u>	<u>C.I. potentiomètres II</u>	<u>Piastra modulo regolat.II</u>
205		59315-060.00	Regler-Modul-Platte II	Control module PCB II	C.I. potentiomètres II	Piastra modulo regolat.II
208		09227-096.21	2x NF-Drossel	AF choke	bobine BF	Impedenza BF
209		8302-202-567	Transistor BC 560 C	(T451/452)	transistor	Transistore BC 560 C
210		8302-200-552	Transistor BC 550 B	(T453...456)	transistor	Transistore BC 550 B
211		59703-116.97	Potentiometer 2x100KΩ KN 53116 (Höhen)	(R453/451) KN 53116 (treble)	potentiomètre (aiguës)	Potenzio metro 2x100 kOhm KN 53116 (alti)
212		59703-115.97	Potentiometer 2x200KΩ KN 53115 (Bass)	(R456/451)	potentiomètre (graves)	Potenzio metro 2x200 kOhm KN 53115 (bassi)





2a

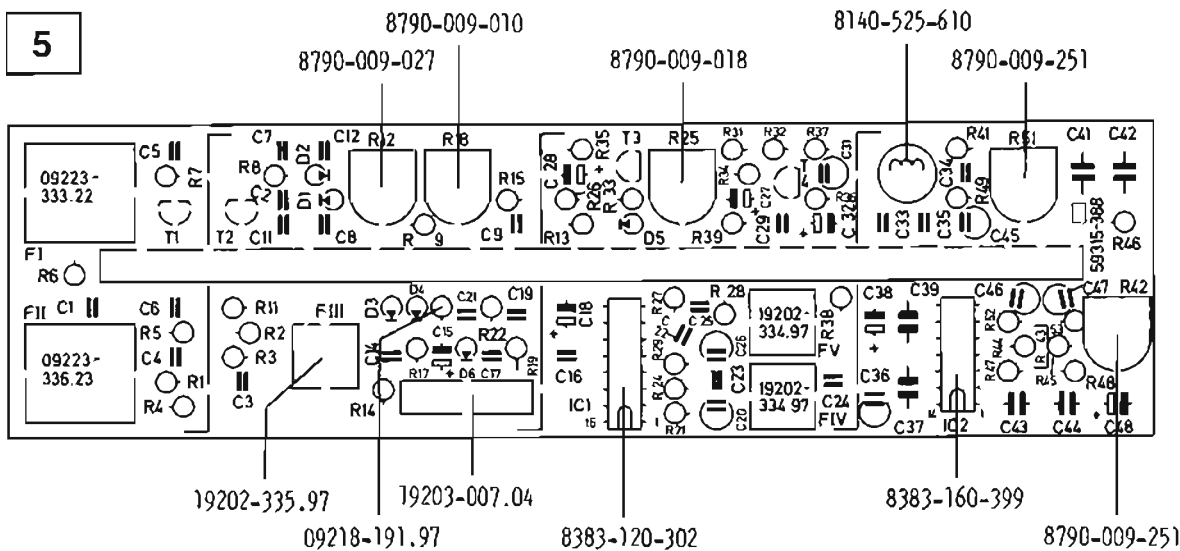


Pos. No.	Fig. No.	Bestell-Nr./Part No. Réf./Nr. d'ordinazioni	Benennung	Description	Désignation	Denominazione
213		59703-118.97	Potentiometer	(R465/486)	potentiomètre	Potenziometro
214		8700-231-073	Widerstand 80309 NB/1KΩ	(R473/474) Resistor	résistance	Resist.80309 NB/1 kΩhm
			<u>Speicher-Platte</u>	<u>Memory PCB</u>	<u>C.I. mémoire</u>	<u>Piastra memoria</u>
220		59310-187.00	Speicherplatte kpl.	Memory PCB compl.	C.I. mémoire cpl	Piastra memoria
221		59410-519.00	Speichereinheit 7-fach	Memory unit 7-fold	bloc mémoire	Unità di memoria 7x
			<u>FM-Netzteil-Modul-Platte</u>	<u>FM power supply mod.PCB</u>	<u>C.I. bloc secteur FM</u>	<u>Piastra mod.aliment.FM</u>
230	2b	59310-188.00	FM-Netzteil-Modul-Pl.kpl.	FM power supply mod.PCB comp	C.I. bloc secteur FM	Pias.mod.aliment.FM cpl.
232		8383-100-102	Integr. Schaltung TCA530	(1C201) Integr. circuit	circuit intégré	Circuito integ. TCA 530
233		8302-220-036	Transistor BF 245 A	(R201)	transistor	Transistore BF 245 A
234		8309-201-007	Diode BA 181	(R241)	diode	Diodo BA 181
235		8705-227-085	Metalloxydwiderstand 0411/3,3KΩ/5%	(R201) Metal oxide resist.	rés. métal-oxyde	Resistenza ad ossido 0411/3,3 kΩhm/5%
236		8790-209-251	Einstellregler 10KΩ	(R203) Potentiometer	pot. ajustable	Regolatore 10 kΩhm
237		8700-359-013	Widerstand Z 0414 NB	(R207) Resistor	résistance	Resistenza Z 0414 NB
			<u>Schalter-Modul-Platte</u>	<u>Switch module PCB</u>	<u>C.I. interrupteur</u>	<u>Piastra modulo commutatori</u>
249		59315-055.00	Schalter-Modul-Platte kpl.	Switch module PCB compl.	C.I. interrupteur cpl	Piastra modulo commut.cpl.
250	1	59500-028.00	Kippschalter kpl. 2-fach (Aus)	Tumbler switch compl. 2-way (off)	interrupteur cpl (aus = arrêt)	Commutat.a bilico cpl. 2 x (disinserito)
251	1	59500-029.00	2x Kippschalter kpl. 4-fach	(L1/2) Tumbler switch compl 4-way	interrupteur cpl (L1/2)	Commutat.a bilico cpl. 4 x
252	1	59500-033.00	Kippschalter kpl. 2-fach(mono-stereo)	Tumbler switch compl. 2-way (mono-stereo)	interrupteur cpl (mono-stéréo)	Commutat.a bilico cpl. (2 x (mono-stereo))
253	1	59500-031.00	Kippschalter kpl. 4-fach (Lin./Cont.)	Tumbler switch compl. 4-way(Lin./Cont.)	interrupteur cpl (Lin./Cont.)	Commutat.a bilico cpl. 4 x (Lin./Cont.)
254	1	59500-030.00	Kippschalter kpl. 4-fach (Monitor)	Tumbler switch compl. 4-way (Monitor)	interrupteur cpl (monitor)	Commutat.a bilico cpl. 4 x (Monitor)
255	1	59500-034.00	Kippschalter kpl. 2-fach (Rausch)	Tumbler switch compl. 2-way (Noise)	interrupteur cpl (filtre anti-souffle)	Commutat.a bilico cpl. 2 x (fruscio)
259		19430-002.00	FM-Stereo-Drossel	FM-stereo choke	bobine stéréo FM	Impedenza stereo FM
260		8302-200-554	Transistor BC 550 C	(T601/602)	transistor	Transistore BC 550 C
261		8302-200-562	Transistor BC 560 B	(T603/604)	transistor	Transistore BC 560 B
262		8700-201-063	Widerstand B 0207NB/390Ω	(R619) Resistor	résistance	Resist.B 0207NB/390 Ωhm
			<u>Programm-Modul-Platte 8-fach</u>	<u>Programme module PCB 8-way</u>	<u>C.I. programmation</u>	<u>Piastra modulo program. 8 x</u>
270		59315-078.00	Programm-Modl-Pl. kpl.	Programme module PCB compl	C.I. programmation cpl	Piastra modulo progr.cpl.
271		8305-305-058	Integr. Schaltung SAS 580	(1C1) Integr. circuit	circuit intégré	Circuito integrato SAS 580
272		8383-180-151	Integr. Schaltung SAS 590	(1C 2) Integr. circuit	circuit intégré	Circuito integrato SAS 590
273		8700-201-087	Widerstand B 0207 NB/3,9KΩ	(R10/12/13/20) Resistor	résistance	Resist.B 0207 NB/3,9 kΩhm
			<u>Tast-Platte 8-fach</u>	<u>Push button PCB 8-way</u>	<u>C.I. touches</u>	<u>Piastra tasti 8 x</u>
275		59311-079.00	Tast-Platte 8-fach	Push button PCB 8-way	C.I. touches	Piastra tasti 8 x
276		59752-016.00	2x Diodenhalter 4-fach	Diode holder 4-way	support diodes	Supporto diodo 4 x
277		59500-044.01	8x Kurzhub-Schalter 2-pol.	Short travel switch 2-way	interrupteur	Commutat.a corsa breve 2p.
278		8309-920-086	8x LE-Diode CQY 86		diode électro-lum.	Diodo LED CQY 86

Pos. No.	Fig. No.	Bestell-Nr./Part No. Réf./Nr. d'ordinazioni	Benennung	Description	Désignation	Denominazione
			<u>Buchsen-Modul-Platte</u>	<u>socket module-plate</u>	<u>C.I. embases</u>	<u>Modulo prese</u>
285	2a	59315-032.00	Buchsen-Modul-Platte	socket module-plate	C.I. embases	modulo prese
287		09622-388.02	5x Zwergsteckdose	socket	embase	presa miniaturizzata
288		09625-475.00	Antennenbuchse kpl.	aerial socket compl.	embase antenne cpl.	presa antenna compl.
289		09218-024.01	HF-Drossel	HF-choke	bobine HF	impedenza AF
290		09647-022.97	Ferritperle	ferrite bead	perle ferrite	perlina in ferrite
			<u>ZF-Modul-Platte AM</u>	<u>IF-module AM</u>	<u>C.I. FI en AM</u>	<u>Piastra FI AM</u>
300	2b	59310-181.00	ZF-Modul-Platte kpl.	IF-module compl.	C.I. FI cpl.	piastra mod. FI compl.
301		19202-326.97	ZF-Filter	IF-filter	FI	filtro FI
302		19202-328.97	ZF-Filter	IF-filter	FI	filtro FI
303		09647-020.97	Ferritperle	ferrite bead	perle ferrite	perlina in ferrite
304		19203-034.97	Ker.-Filter 460KHz	cer.filter 460KHz	filtre céramique	filtro ceramico
304		19203-035.97	Ker.-Filter 452KHz(f.BE)	cer.filter 452KHz(f.BE)		filtro ceramico
306		8383-120-401	Integr. Schaltung TCA 440	(IC 101)integr. circuit TCA 440	circuit intégré	circuito integrato
307		8302-200-233	Transistor BC 308 A	(T101)transistor BC308	transistor	transistor
308		8302-220-046	Transistor BF 255	(T102)transistor BF255	transistor	transistor
309		8309-001-106	Diode AA 143	(D101)diode AA 143	diode	diodo
310		8700-239-053	Widerstand B0309 NB	(R101)resistor B0309 NB	résistance	resistenza
			<u>Entzerrer-Modul-Platte</u>	<u>equaliser module</u>	<u>C.I. correcteur</u>	<u>Modulo equalizzatore</u>
320	2a	59310-200.00	Entzerrer-Modul-Platte	equaliser plate compl.	C.I. correcteur	piastra mod. equaliz.
321		8383-120-525	Integr. Schaltung SN 76131 NS 58	(IC 851)integr. circuit SN 76131 NS 58	circuit intégré	circuito integrato
322		8309-703-230	Zener-Diode ZPD 20	(D851)zener-diode ZPD 20	diode zener	diodo zener
323		09647-020.97	Ferritperle	ferrite bead		
			<u>NF-Modul</u>	<u>AF-printed circuit</u>	<u>C.I. BF</u>	<u>Modulo BF</u>
330		09623-136.00	Thermoschalter	thermo switch	disjoncteur thermique	interruttore termico
331		50016-046.00	Kappe für Thermoschalter	cover f. thermo switch	capot pour disjoncteur	cappa per interrutto.
336		09605-501.97	2x Glimmerscheibe	mica washer	rondelle mica	rondella in mica
337		09605-502.97	2x Glimmerscheibe	mica washer	rondelle mica	rondella in mica
338		09621-113.02	6x Sicherungshalter	fuse holder contact	support fusible	portafusibile
342	4	09218-154.01	2x Ferritdrossel	ferrite choke	bobine	impedenza in ferrite
343		09647-022.97	3x Ferritperle	ferrite bead	perle ferrite	perlina in ferrite
344		19799-014.03	Transistor-Paar G 6004/6005	(T2009/2008 transistor-T3009/3008) pair	transistor	coppia transistor
345		8302-210-018	Transistor BD 135-16	(T904)transistor BD135	transistor	transistor
346		8302-210-053	Transistor BD 135-6	(T2005/3005) transistor	transistor	transistor
347		8302-210-155	Transistor BD 139	(T902)transistor BD139	transistor	transistor
348		8302-400-106	Transistor MPS-L0 1	(T903)transistor MPS-L0 1	transistor	transistor
349		8302-212-517	Transistor BD 517-5	(T2004/3004) transistor	transistor	transistor
350		8302-202-127	Transistor BC 238 B	(T2006/3006)transistor	transistor	transistor
351		8302-200-329	Transistor BC 328-25/40	(T2007/3007)transistor	transistor	transistor
352		8302-202-559	Transistor BC 559 B	(T2002/3002)transistor	transistor	transistor
353		8302-202-561	Transistor BC 559 C	(T2001/3001/2003/3003) transistor BC 559 C	transistor	transistor
354		8309-706-103	Diode MZF 16	(D902)diode MZF 16	diode	diodo
355		8309-713-101	Diode MZD 56	(D903)diode MZD 56	diode	diodo
356		8309-215-021	5x Diode 1N 4001	diode 1N 4001	diode	diodo
357		8309-215-009	Diode 1N 4002	(D905/906)diode 1N 4002	diode	diodo
358		8309-715-011	Zener-Diode BZX 83/C6/V2	(D901)zener-diode BZX 83	diode zener	diodo zener
359		8309-201-007	4x Diode BA 181	diode BA 181	diode	diodo
360	4	8308-538-017	Gleichrichter B80/C1500/1000	(G1.901)rectifier B80/C1500/1000	redresseur	raddrizzatore

Pos. No.	Fig. No.	Bestell-Nr./Part No. Réf./Nr. d'ordinazioni	Benennung	Description	Désignation	Denominazione
361	4	8446-597-210	Elko 1000µF/40V	(C912)elco 1000µF/40V	cond. chimique	condens. elettrolit.
362	4	8410-001-007	Elko 10000µF/30V	(C914/915)elco 10000µF	cond. chimique	condens. elettrolit.
363		8705-227-253	Metalloxydwiderstand 0411/150Ω/10%	(R916/919)metal oxide resistor 0411/150Ω/10%	rés. métal-oxyde	resistenza ad ossido
364		8705-227-257	Metalloxydwiderstand 0411/220Ω/10%	(R917/918)metal oxide resistor 0411/220Ω/10%	rés. métal-oxyde	resistenza ad ossido
365		8705-227-067	Metalloxydwiderstand 0411/560Ω/5%	(R2013/3013) metal oxide resistor 0411/560Ω/5%	rés. métal-oxyde	resistenza ad ossido
366		8705-227-085	Metalloxydwiderstand 0411/3,3KΩ/5%	(R905)metal oxide resis. 0411/3,3KΩ/5%	rés. métal-oxyde	resistenza ad ossido
367		8705-269-043	Metalloxydwiderstand 0617/56Ω/5%	(R2018/3018)metal oxide resistor 0617/56Ω/5%	rés. métal-oxyde	resistenza ad ossido
368		8705-269-049	Metalloxydwiderstand 0617/100Ω/5%	(R2012/3012)metal oxide resistor 0617/100Ω/5%	rés. métal-oxyde	resistenza ad ossido
369		8705-369-229	Metalloxydwiderstand 0617/15Ω/10%	(R2033/3033)metal oxide resistor 0617/15Ω/10%	rés. métal-oxyde	resistenza ad ossido
370		8705-311-201	Metalloxydwiderstand S 0411/1Ω/10%	(R921/922)metal oxide resistor S 0411/1Ω/10%	rés. métal-oxyde	resistenza ad ossido
371		8730-182-029	4x Drahtwiderstand 9W/0,47Ω/5%	k-type rasistor 9W/0,47Ω/5%	rés. bobinée	resistenza a filo
372	4	8790-009-010	Einstellregler 1KΩ	(R2016/3016)min.pre-set pot. 1KΩ	pot. ajust.	trimmer ohmico
373		8700-239-007	Widerstand B 0309NB/47Ω	(R2022/3022/R906)res. B 0309 NB/47Ω	résistance	resistenza
374		8700-239-004	Widerstand B 0309NB/22Ω	(R911/913/914)resistor B 0309NB/22Ω	résistance	resistenza
376		8700-339-012	Widerstand Z 0309 NB/330Ω	(R2024/3024)resistor Z 0309 NB/330Ω	résistance	resistenza
377		8700-339-013	Widerstand Z 0309 NB/390Ω	(R2014/3014)resistor Z 0309 NB/390Ω	résistance	resistenza
378		8700-339-016	Widerstand Z 0309 NB/680Ω	(R2029/3029)resistor Z 0309 NB/680Ω	résistance	resistenza
379		8700-339-018	Widerstand Z 0309 NB/1KΩ	(R2028/3028)resistor Z 0309 NB/1KΩ	résistance	resistenza
380		8700-239-075	Widerstand B 0309 NB/1,2KΩ	(R909)resistor B 0309 NB/1,2KΩ	résistance	resistenza
385		59310-177.00	LS-BUCHSENPLATTE KPL.	speaker socket module	C.I. embases HP	piastra presa altop.
385.1		09622-435.97	2x Lautsprecherbuchse (schwarz)	speaker socket (black)	embase HP (noir)	presa altoparlante (nero)
385.2		09622-555.97	2x Lautsprecherbuchse (grün)	speaker socket (green)	embase HP (vert)	presa altoparlante (verde)
385.3		8705-329-070	Metalloxydwiderstand 0411/150Ω/10%	(R751/754)metal oxide resis. 0411/150Ω/10%	rés. métal-oxyde	resistenza ad ossido
385.4		8705-329-077	Metalloxydwiderstand 0411/220Ω/10%	(R752/753)metal oxide resis. 0411/220Ω/10%	rés. métal-oxyde	resistenza ad ossido
			<u>Netztrafo-Modul</u>	<u>mains transformer unit</u>	<u>C.I. transfo.</u>	<u>Modulo alimentazione</u>
390		59800-608.00	Netztrafo-Modul kpl.	mains transf. module compl.	C.I. transfo. cpl.	modulo alim. compl.
395		09621-113.02	6x Sicherungshalter	fuse holder contact	support fusible	portafusibile
396		8308-475-970	Gleichrichter B40/C2200	(G1.701)rectifier B 40/C 2200	redresseur	raddrizzatore
397		09622-961.00	Zugschalter 2-pol.	2-pole switch	interrupteur	commut. a trazione
398		00813-001.01	Seilrolle	pulley	poulie	puleggia
399		09603-452.00	Hülse	sleeve	douille	guaina
400		09007-013.01	Netztrafo	mains transformer	transfo. alim.	trasformatore rete

Pos. No.	Fig. No.	Bestell-Nr./Part No. Réf./Nr. d'ordinazioni	Benennung	Description	Désignation	Denominazione
			ZF-PLL-Decoder-Steckmodul	IF-PLL-decoder module	Décodeur FI-PLL	Modulo decoder PLL FI
405	2a/b	59800-602.00	ZF-PLL-Decodersteckm.	IF-PLL-decoder module	décodeur FI-PLL	Modulo decoder PLL FI
406	5	19203-007.04	Keramik-Filter	filter	FI	filtro
407	5	09223-333.22	ZF-Filter	IF-filter	FI	filtro FI
408	5	09223-336.23	ZF-Filter	IF-filter	FI	filtro FI
409		09647-951.97	Rahmenkern (f.Nr.407/408)	frame core (f.No.407/408)	noyau (pr Nr. 407/408)	nucleo avvolgente
410		09647-652.97	Ferritabgleichkern (f.Nr.407/408)	ferrite alignment core (f.No.407/408)	noyau réglage (pr Nr. 407/408)	nucleo di taratura in ferrite
411	5	19202-335.97	ZF-Filter	IF-filter	FI	filtro FI
412	5	19202-334.97	2x ZF-Filter	IF-filter	FI	filtro FI
413	5	09218-191.97	Ferritdrossel 27µH	ferrite choke	bobine ferrite	impedenza in ferrite
413a		09647-021.97	Ferritperle	ferrite bead	perla ferrite	perlina in ferrite
414	5	8140-525-610	Ferritdrossel 22µH/5%	ferrite choke 22µH/5%	bobine	impedenza in ferrite
415		8302-220-033	Transistor BF 240	(T1)transistor BF 240	transistor	transistor
416		8302-222-040	Transistor BF 440	(T2)transistor BF 440	transistor	transistor
417		8302-202-410	Transistor BC 413 B	(T3)transistor BC 413 B	transistor	transistor
418		8302-200-420	Transistor BC 415 C	(T4)transistor BC 415 C	transistor	transistor
419	5	8383-120-302	Integr. Schaltung TCA 420 A	(IC 1)integr. circuit TCA 420 A	circuit intégré	circuito integrato
420	5	8383-160-399	Integr. Schaltung 1310	(IC 2)integr. circuit	circuit intégré	circuito integrato
421		8309-001-012	Diode AA 119	(D1/2/3)diode AA 119	diode	diode
422		8309-201-104	Diode BA 316	(D4)diode BA 316	diode	diode
424	5	8790-009-010	Einstellregler 1KΩ	(R18)min.pre-set pot.	pot. ajust.	trimmer ohmico
425	5	8790-009-018	Einstellregler 10KΩ	(R25)min.pre-set pot.	pot. ajust.	trimmer ohmico
426	5	8790-009-251	Einstellregler 10KΩ	(R42/51)min.pre-set pot.	pot. ajust.	trimmer ohmico
428	5	8790-009-027	Einstellregler 500KΩ	(R12)min.pre-set pot.	pot. ajust.	trimmer ohmico

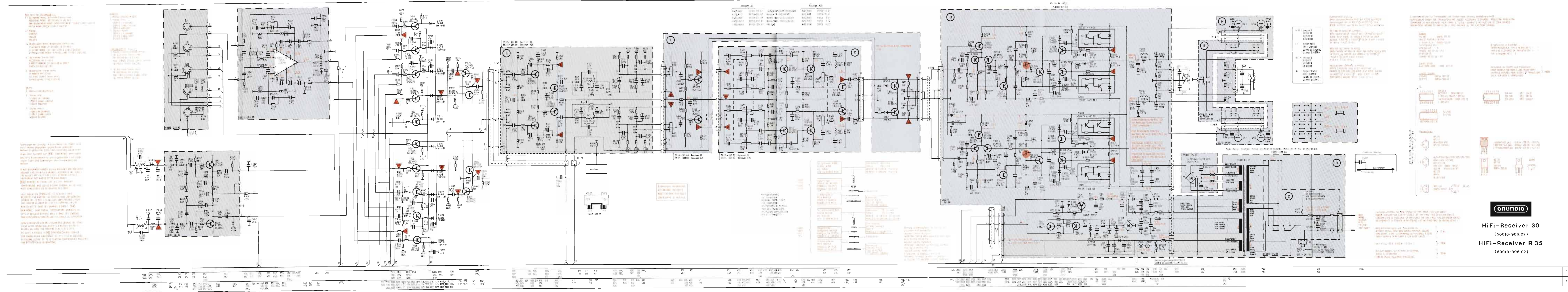


Änderungen vorbehalten · Alterations reserved · Tous droits de modifications réservés · Con riserva di modifiche

ERSATZTEIL-LISTE

HiFi-Receiver R 35

		<u>Gehäuse, metallie</u>			
1	55015-010.01	Gehäuse kpl.	170	59311-028.00	Tunoscope-Modul-Platte kpl.
1.3	55015-030.01	Blende kpl.	185	59311-033.00	Regler-Modul-Platte I
1.31	55014-034.01	Skalenscheibe	194	59703-114.97	Potentiometer 2x100KΩ (R401/402)
1.32	55015-091.01	Zierrahmen kpl.			
1.33	55015-095.01	Zierrahmen kpl.	195	59703-117.97	Potentiometer 2x6 KΩ (R416/417)
1.6	55015-080.01	Deckel kpl.			
3	09670-847.01	5x Drehknopf	205	59315-060.00	Regler-Modul-Platte II
5	01560-580.00	UKW-Möbelantenne	211	59703-116.97	Potentiometer 2x100KΩ (R453/461)
			212	59703-115.97	KN 53116 (Höhen)
			213	59703-118.97	Potentiometer 2x200KΩ (R456/457)
					KN 53115 (Bass)
					Potentiometer 2x100KΩ (R485/486)
					KN 53118
			220	59310-187.00	Speicher-Platte kpl.
			221	59410-519.00	Speichereinheit 7-fach
13	09623-081.97	2x Stereo-Kopfhörerbuchse	230	59310-188.00	FM-Netzteil-Modul-Platte kpl.
14	59500-037.00	2x Kippschalter 2-fach kpl. (Still u. AFC)	236	8790-209-251	Einstellregler 10KΩ (R203)
15	50016-053.00	2x Schalterwinke	249	59315-055.00	Schalter-Modul-Platte kpl.
16	50016-190.01	Skala kpl.	250	59500-028.00	Kippschalter kpl. 2-fach (Aus)
17	50016-031.00	Rückwanddeckel	251	59500-029.00	2x Kippschalter kpl. 4-fach (L 1/2)
19	59701-023.00	2-fach-Drehkondensator	252	59500-033.00	Kippschalter kpl. 2-fach (Mono-Stereo)
19.1	59703-093.00	Abstimwiderstand 100KΩ (R5001)			
20	50016-038.01	Zeiger	253	59500-031.00	Kippschalter kpl. 4-fach (Lin./Cont.)
21	50016-040.00	Zeigerkappe	254	59500-030.00	Kippschalter kpl. 4-fach (Monitor)
22	09612-155.97	Antriebsrad	255	59500-034.00	Kippschalter kpl. 2-fach (Rausch)
23	09619-833.00	Ringfeder			
24	50016-081.00	Rollenwinke	270	59315-034.00	Sensor-Platte 8-fach
25	00813-001.02	8x Seilrolle	285	59315-032.00	Buchsen-Modul-Platte
28	09612-833.00	Schwungrad	287	09622-388.02	5x Zwergsteckdose
30	09670-853.01	Drehknopf kpl.	288	09625-475.00	Antennenbuchse kpl.
32	8138-003-005	Polymidschnur 0,3 Ø	300	59310-181.00	ZF-Modul-Platte kpl. AM
33	8138-005-015	Skalenseil 7x0,1 / 38 lg. (Netzschalter)	301	19202-326.97	ZF-Filter
36	8138-007-021	2x Antriebschnur TE 50 P (schwarz) (90 lg./64 lg.)	302	19202-328.97	ZF-Filter
37	09626-145.06	2x Lampenfassung	304	19203-004.97	Ker.-Filter 460KHz
38	50016-057.00	3x Diodenbuchse	304	19203-005.97	Ker.-Filter 452KHz (f.BE)
39	59705-034.97	Anzeigeelement (Frequenzanzeige)	320	59310-200.00	Entzerrer-Modul-Platte kpl.
40	59705-035.97	Anzeigeelement (Feldstärke-Anzeige)	330	09623-083.00	Thermoschalter
63	09690-358.01	Netzleitung kpl.	336	09605-501.97	2x Glimmerscheibe
63	09690-358.02	Netzleitung kpl. (f.GH)	337	09605-502.97	2x Glimmerscheibe
63	09690-358.03	Netzleitung kpl. (f.SK/BE)			
63	09690-358.04	Netzleitung kpl. (f.GB)	372	8790-009-010	Einstellregler 1KΩ (R2016/3016)
63	09690-358.05	Netzleitung kpl. (f.Export)			
67	8716-113-009	2x Lampe 6-7W/0,3A/110	385	59310-177.00	LS-Buchsenplatte kpl.
68	8716-453-004	Zwerglampe 7W/80mA/2307/U	385.1	09622-435.97	2x Lautsprecherbuchse (schwarz)
111	19799-323.91	Trimmer 3/15pF (C1027)	385.2	09622-555.97	2x Lautsprecherbuchse (grün)
112	19799-323.97	Trimmer 3/15pF (C1026)	390	59800-608.00	Netztrafo-Modul kpl.
114	8790-009-244	Einstellregler 3KΩ (R1087)	397	09622-967.00	Zugschalter 2-pol.
115	8790-009-248	Einstellregler 5KΩ (R1022)	398	00813-001.01	Seilrolle
116	8790-009-251	Einstellregler 10KΩ (R1014)	400	09007-013.01	Netztrafo
		<u>FM-Spulensatz-Modul</u>			
120	59420-009.00	FM-Spulensatz-Modul kpl.	405	59800-602.00	ZF-PLL-Decoder-Steckmodul
137	19799-331.91	Trimmer 2/6pF (C314)	407	09223-333.32	ZF-Filter
138	19799-333.91	Trimmer 3/15pF (C303/313)	408	09223-336.23	ZF-Filter
139	19799-334.91	Trimmer 4/20pF (C311)	411	19202-335.97	ZF-Filter
145	59310-189.00	Tiefpaß-Modul-Platte kpl.	412	19202-334.97	2x ZF-Filter
150	59315-052.00	Sensor-Platte kpl.	424	8790-009-010	Einstellregler 1KΩ (R18)
155	59310-183.00	Dioden-Modul-Platte kpl.	425	8790-009-018	Einstellregler 10KΩ (R25)
			426	8790-009-251	Einstellregler 10KΩ (R425/51)
			428	8790-009-027	Einstellregler 500KΩ (R12)



1. Einbauelemente
 2. Bauelemente
 3. Bauelemente
 4. Bauelemente
 5. Bauelemente
 6. Bauelemente
 7. Bauelemente
 8. Bauelemente
 9. Bauelemente
 10. Bauelemente
 11. Bauelemente
 12. Bauelemente
 13. Bauelemente
 14. Bauelemente
 15. Bauelemente
 16. Bauelemente
 17. Bauelemente
 18. Bauelemente
 19. Bauelemente
 20. Bauelemente
 21. Bauelemente
 22. Bauelemente
 23. Bauelemente
 24. Bauelemente
 25. Bauelemente
 26. Bauelemente
 27. Bauelemente
 28. Bauelemente
 29. Bauelemente
 30. Bauelemente
 31. Bauelemente
 32. Bauelemente
 33. Bauelemente
 34. Bauelemente
 35. Bauelemente
 36. Bauelemente
 37. Bauelemente
 38. Bauelemente
 39. Bauelemente
 40. Bauelemente
 41. Bauelemente
 42. Bauelemente
 43. Bauelemente
 44. Bauelemente
 45. Bauelemente
 46. Bauelemente
 47. Bauelemente
 48. Bauelemente
 49. Bauelemente
 50. Bauelemente
 51. Bauelemente
 52. Bauelemente
 53. Bauelemente
 54. Bauelemente
 55. Bauelemente
 56. Bauelemente
 57. Bauelemente
 58. Bauelemente
 59. Bauelemente
 60. Bauelemente
 61. Bauelemente
 62. Bauelemente
 63. Bauelemente
 64. Bauelemente
 65. Bauelemente
 66. Bauelemente
 67. Bauelemente
 68. Bauelemente
 69. Bauelemente
 70. Bauelemente
 71. Bauelemente
 72. Bauelemente
 73. Bauelemente
 74. Bauelemente
 75. Bauelemente
 76. Bauelemente
 77. Bauelemente
 78. Bauelemente
 79. Bauelemente
 80. Bauelemente
 81. Bauelemente
 82. Bauelemente
 83. Bauelemente
 84. Bauelemente
 85. Bauelemente
 86. Bauelemente
 87. Bauelemente
 88. Bauelemente
 89. Bauelemente
 90. Bauelemente
 91. Bauelemente
 92. Bauelemente
 93. Bauelemente
 94. Bauelemente
 95. Bauelemente
 96. Bauelemente
 97. Bauelemente
 98. Bauelemente
 99. Bauelemente
 100. Bauelemente

GRUNDIG
 HiFi-Receiver 30
 (50016-906.02)
 HiFi-Receiver R 35
 (50019-906.02)